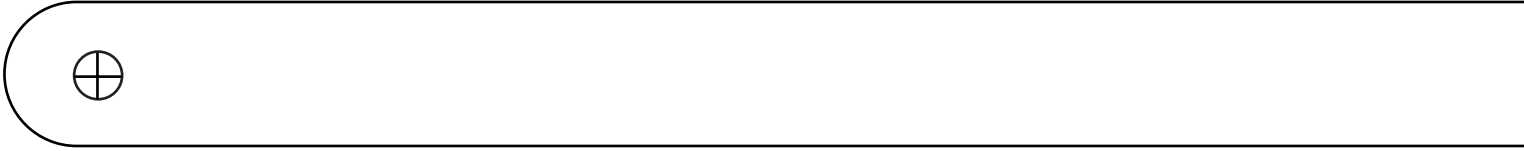
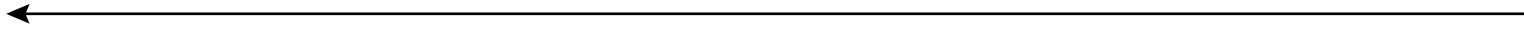
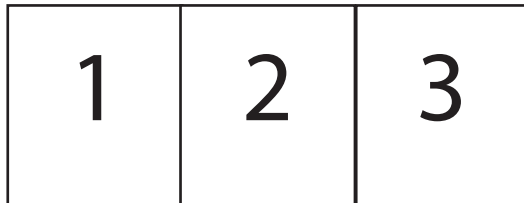


1



1/2" /
1.27 cm

Print at 100%,
Three 8-1/2 x 11 Pages
Line Up End to End in this Order
for Pattern

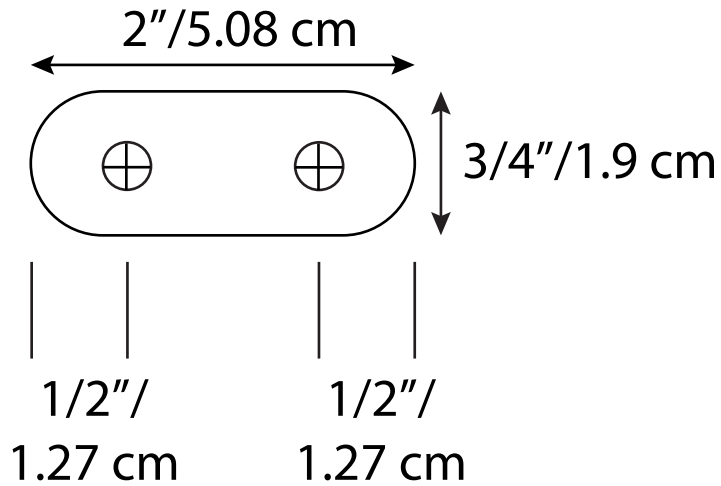


May have white areas between
pages just continue line work
with pencil or pen,
do not overlap

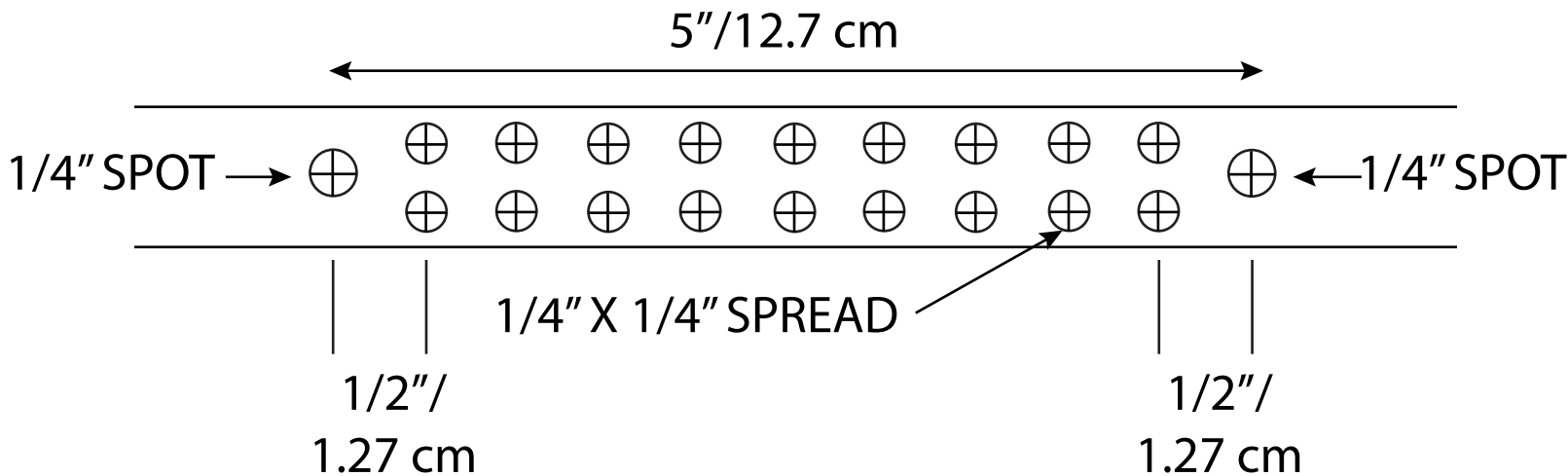
2

HAT BAND

23-7/8"/60.9 cm



RECURRING PATTERN



3

